

# Zone Output Module (Single Bus Slave)

# ECS-6216S



## OVERVIEW

The ECS-6216S output slave unit allow the addition of 16 output zones to the single bus system 6000. Up to 9 units can be added to the ECS-6216P, giving the system up to 160 output zone capacity. Each unit also offer 16CH GPI sensor input for messaging, event and scenario triggering.

## FEATURES

- Single bus input
- 16 output zones
- 16CH GPI sensor input
- RS-485 communication
- Front panel manual control

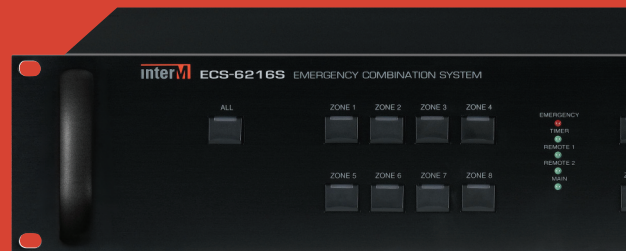
## SPECIFICATIONS

		ECS-6216S
Priority		Emergency>Timer>Remote 1>Remote 2>Main
Channel		16CH
Communications Protocol	LINK IN/OUT	RS-485 (Maximum: 1km/3,280 feet)
	RM INPUT (RM1, 2)	RS-422 (Maximum: 1km/3,280 feet)
SOURCE		RS-232 (Maximum: 12m/40 feet)
Fire Sensor		Dry Contact
Operating Temperature		-10°C ~ +40°C/14°F~104°F
Power Source		DC 24V, 900mA
Weight (Set)		4.3kg/9.5lbs
Dimensions (Set)		482(W)x88(H)x280(D)mm/19(W)x3.5(H)x11(D)in

\* Specifications and design are subject to change without notice.

ZONE OUTPUT MODULE (SINGLE BUS SLAVE)

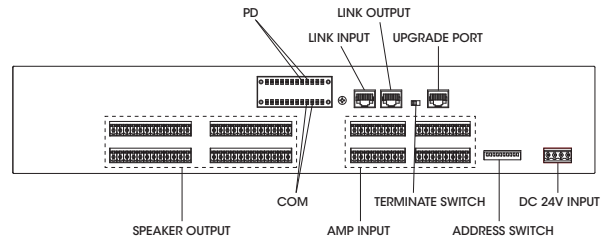
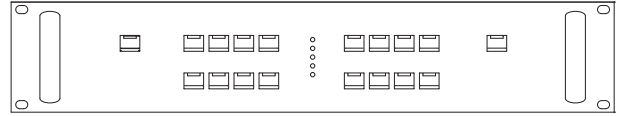
# ECS-6216S



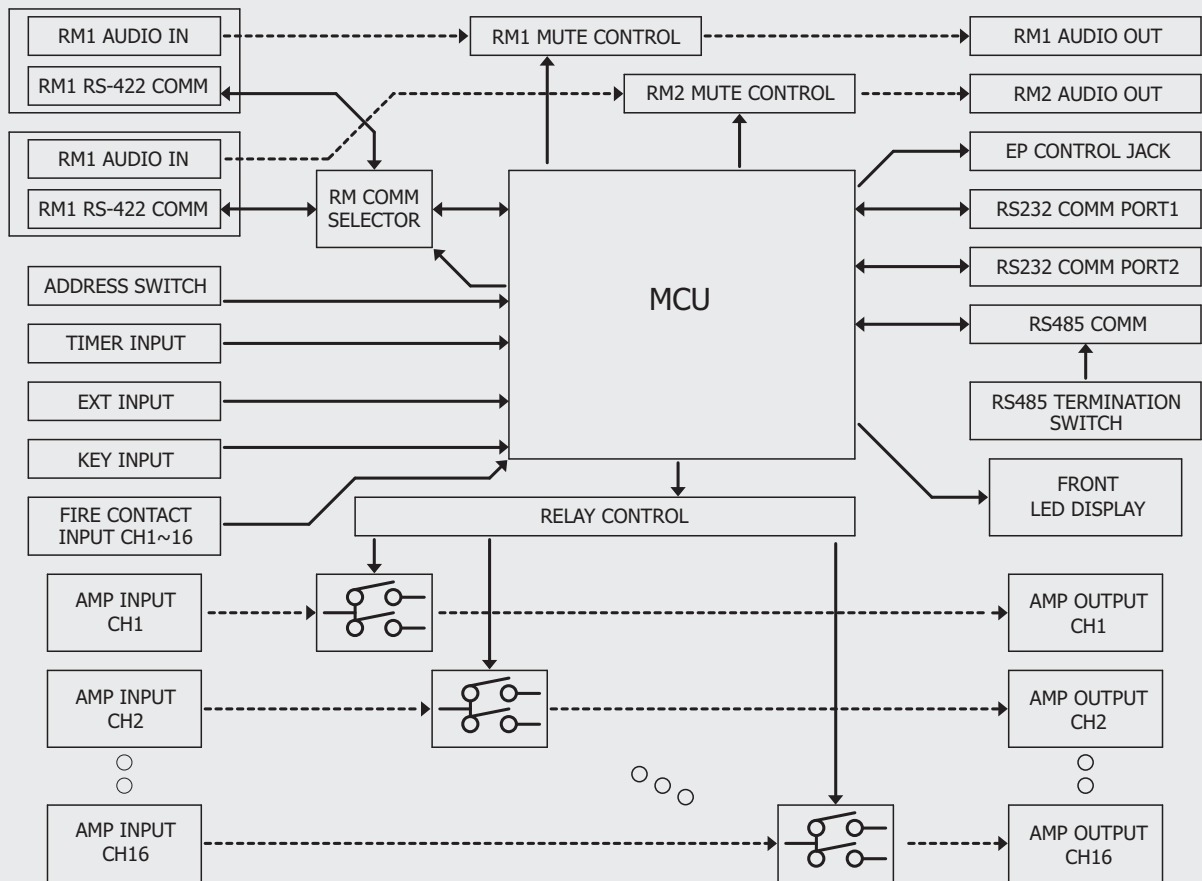
## APPLICATION

Our technology can be found in schools, hospitals, malls, campus, transportation, correctional facilities and a variety of commercial and industrial applications.

- \* Education facilities  
(Elementary / high school / College /University / Training Institute, etc)
- \* Commercial establishments  
(Department stores, Shopping centers, multiplex cinemas, hospitals, etc.)
- \* Public facilities  
(Government offices, transportation, stations, terminal, exhibition hall, factory, resorts, etc.)



## BLOCK DIAGRAM



### Inter-M Corporation

- Office : 653-5 BANGHAK-DONG, DOBONG-GU, SEOUL, KOREA  
 - Tel : +82-2-2289-8140~8, Fax : +82-2-2289-8149  
 - Home page: <http://www.inter-m.com>, E-mail: [overseas@inter-m.com](mailto:overseas@inter-m.com)

### Inter-M Corporation (USA)

- Office : 14730 E. FIRESTONE BLVD #312 LA MIRADA, CA 90638  
 - Tel : +1-714-523-1870, Fax : +1-714-523-1882  
 - Home Page : <http://www.inter-m.net>, E-mail : [info@inter-m.net](mailto:info@inter-m.net)